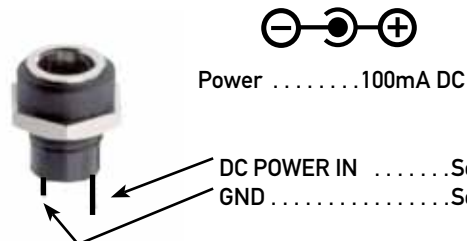
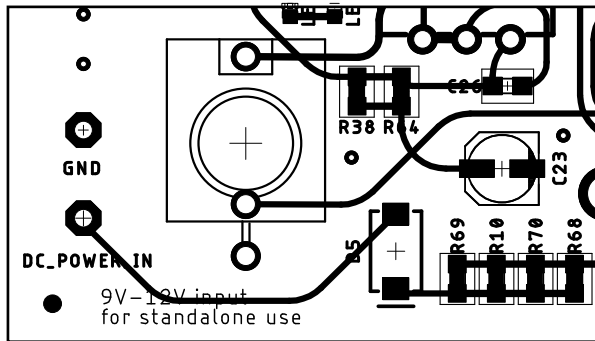
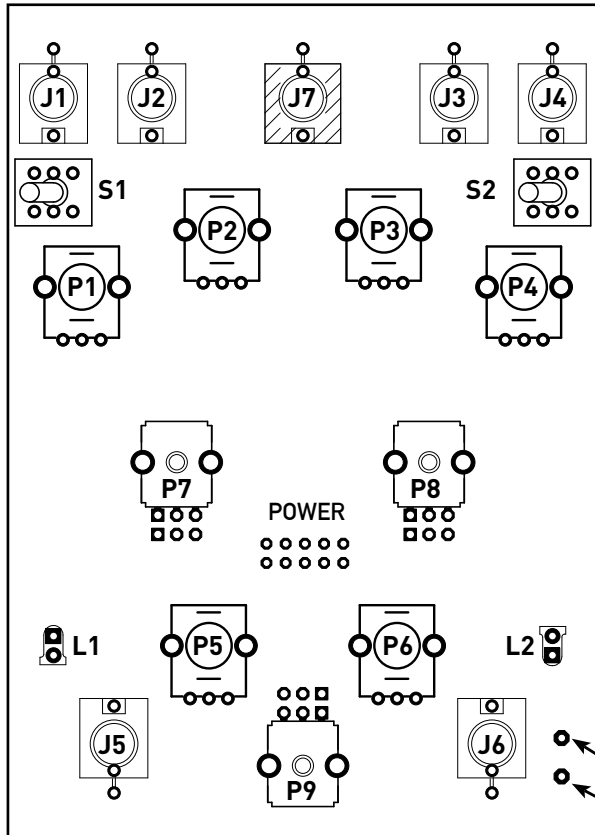


Ar Merch'et Brao Stereo Overdrive Filter



Souder de l'autre coté des composants smd
Solder on the other side of the smd components

POWER10 pin Power Supply Socket

J1 Black Jack
J2 Black Jack
J3 Black Jack
J4 Black Jack
J5 Black Jack
J6 Black Jack

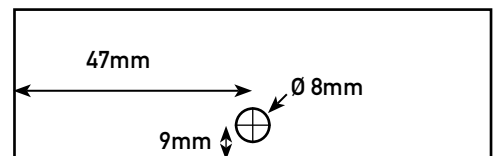
J7 Green Jack

P1 100kB Lin Pot
P2 100kB Lin Pot
P3 100kB Lin Pot
P4 100kB Lin Pot
P5 100kA Log Pot
P6 100kA Log Pot
P7 100kB Dual Lin Pot
P8 100kB Dual Lin Pot
P9 100kB Dual Lin Pot7

GND Souder le fil noir, **Solder the Black Wire**
DC POWER IN Souder le fil Rouge, **Solder the Red Wire**

L1, L2 LED3MM

Positionner les LEDs sans les souder.
(la patte la plus longue = trou carré)
Visser les éléments sur le panel, puis les souder
Put the Leds in place without soldering them,
(longest pin = square hole)
Screw the panel then solder them.



DC POWER IN Souder le fil Rouge, **Solder the Red Wire**
GND Souder le fil noir, **Solder the Black Wire**

wires Souder les fils Rouges, **Solder the Red Wires**
..... out2 ----> stout
..... out1 ----> stout1

