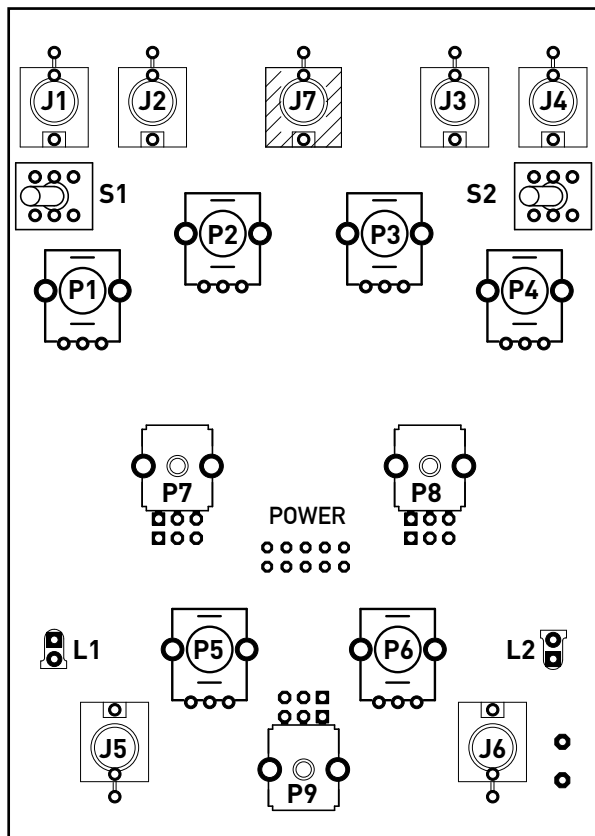


## Ar Merch'et Brao Stereo Overdrive Filter: Eurorack Version



**!** *Solder on the other side of the board to the SMD Components! Solder in the order below from top down!*

POWER . . . 10 pin Power Supply Socket

- J1 . . . . . Black Jack
- J2 . . . . . Black Jack
- J3 . . . . . Black Jack
- J4 . . . . . Black Jack
- J5 . . . . . Black Jack
- J6 . . . . . Black Jack
  
- J7 . . . . . Green Jack
  
- P1 . . . . . 100kB Lin Pot
- P2 . . . . . 100kB Lin Pot
- P3 . . . . . 100kB Lin Pot
- P4 . . . . . 100kB Lin Pot
- P5 . . . . . 100kA Log Pot
- P6 . . . . . 100kA Log Pot
- P7 . . . . . 100kB Dual Lin Pot
- P8 . . . . . 100kB Dual Lin Pot
- P9 . . . . . 100kB Dual Lin Pot7
  
- L1, L2 . . . . . LED3MM

*Put the Leds in place without soldering them,  
(longest pin = square hole)  
Screw the panel then solder them once they are  
positioned correctly.*

### NOTE: Check your PCB version

If the PCB is V2.2 then you will need to solder the wires like in the picture below.

If your PCB is V2.3 then this wiring is not required.

FOR THE EURORACK VERSION

wires . . . . . Souder les fils Rouges, **Solder the Red Wires**

