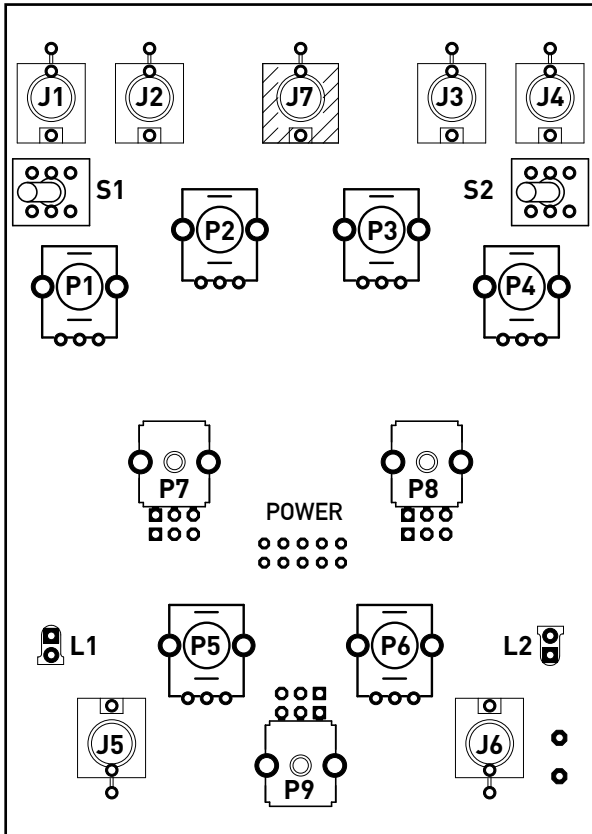


Ar Merch'et Brao Stereo Overdrive Filter: Eurorack Version



! Solder on the other side of the board to the SMD Components! Solder in the order below from top down!

POWER . . . 10 pin Power Supply Socket

J1 Black Jack
 J2 Black Jack
 J3 Black Jack
 J4 Black Jack
 J5 Black Jack
 J6 Black Jack

J7 Green Jack

P1 100kB Lin Pot
 P2 100kB Lin Pot
 P3 100kB Lin Pot
 P4 100kB Lin Pot
 P5 100kA Log Pot
 P6 100kA Log Pot
 P7 100kB Dual Lin Pot
 P8 100kB Dual Lin Pot
 P9 100kB Dual Lin Pot7

L1, L2 LED3MM

*Put the Leds in place without soldering them,
 (longest pin = square hole)*

*Screw the panel then solder them once they are
 positioned correctly.*

FOR THE EURORACK VERSION

wires Souder les fils Rouges, **Solder the Red Wires**

