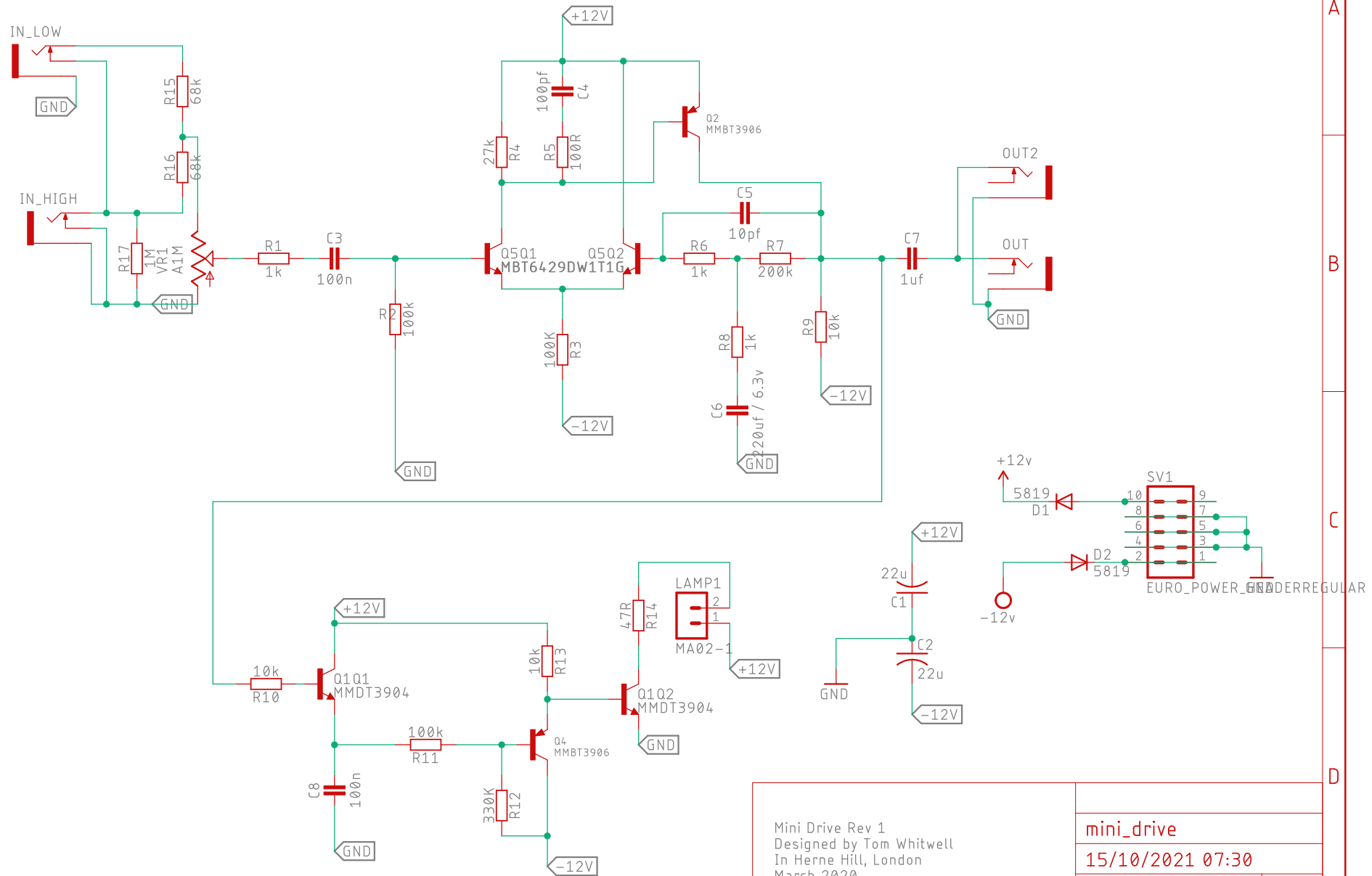


Princeton Reverb Input Circuit:
 Low input = 1/2 gain of High input
 Both input = both full gain



Mini Drive Rev 1
 Designed by Tom Whitwell
 In Herne Hill, London
 March 2020

mini_drive	
15/10/2021 07:30	
Sheet: 1/2	