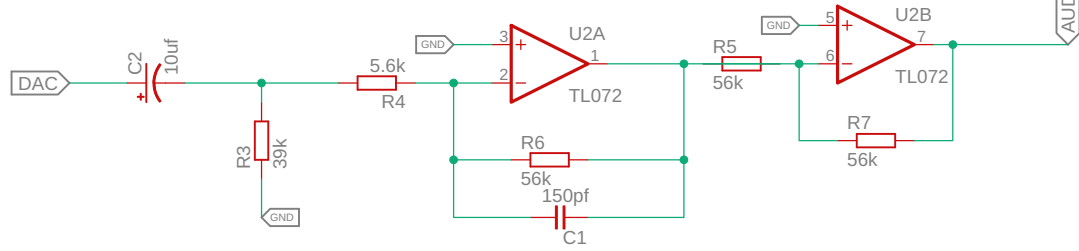
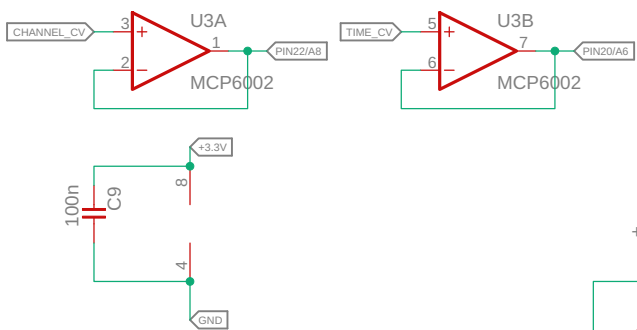
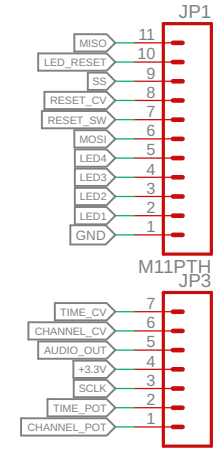


BACK = power/teensy
FRONT = knobs & sockets

Front Board requirements:
+3.3v for pots & SD Card
GND
LED1
LED2
LED3
LED4
LEDReset
Reset Button

Reset CV
Time CV
Channel CV
Channel Pot
SD - MISO
SD - MOSI
SD - CLOCK
SD - SS

SD Card Connections:
SCLK 14
MISO 12
MOSI 7
SS 10



Suitable 5mm 150pf
810-FG28C0G1H151JNT6

