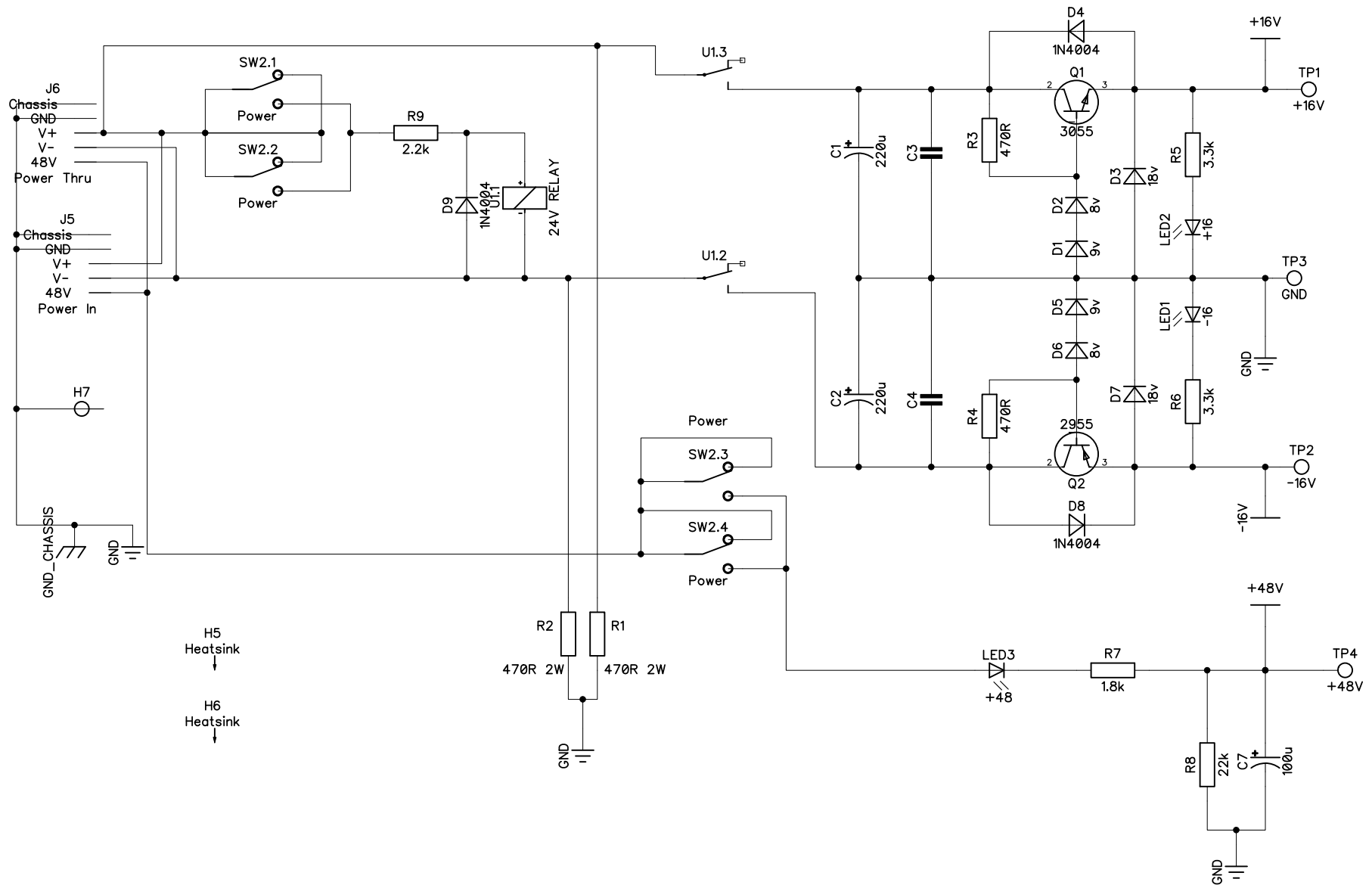


SILK1
DIYRE Logo

Title PR502	
Date 1.20.2018	Rev 1.4
Drawn by: PG	Sheet: Connectors
Creative Commons Attribution-ShareAlike 4.0	



SILK2
 Assembled By Info
 SILK3
 OSHW Logo

Title PR502	
Date 1.20.2018	Rev 1.4
Drawn by: PG	Sheet: Output
Creative Commons Attribution-ShareAlike 4.0	