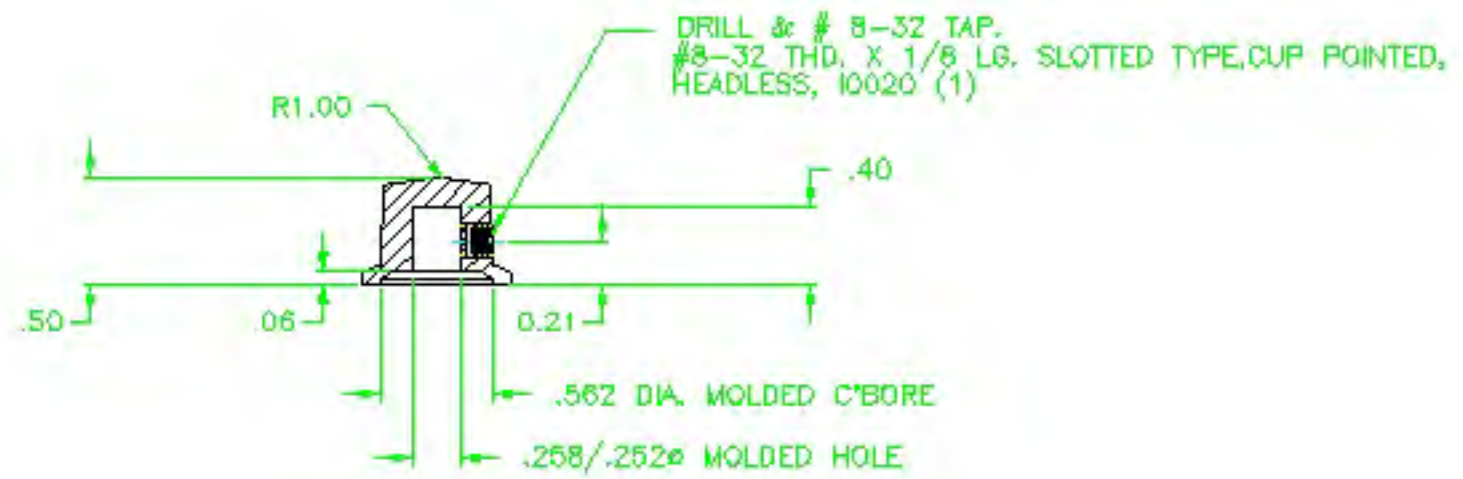
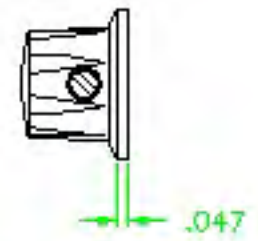
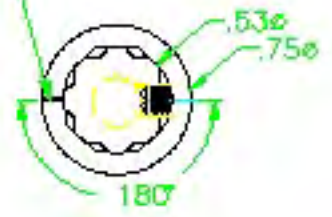


PART NAME: KNOB SCALE: 1:1 DATE: 2/3/97 DR. BY: HD
 THIS DRAWING IS THE PROPERTY OF DAVIES MOLDING COMPANY, IS SUBMITTED SOLELY AS A DESIGN OR ENGINEERING PROJECT.
 WE ACCEPT NO RESPONSIBILITY WHATSOEVER FOR THE PRACTICAL APPLICATION OF THE PIECES MADE TO THIS DESIGN.

DAVIES MOLDING COMPANY
 CAROL STREAM, ILLINOIS 60188

P/N 1910CS
 BASE PART 1910-01
 SET SCREW 10020

Painted indicator line in white



MATERIAL: G.P. PHENOLIC (B11)
 COLOR: BLACK

TOLERANCES: UNLESS OTHERWISE SPECIFIED	DO NOT SCALE DRAWING			
DECIMALS: X.XXX ± .005 X.XX ± .015	MM: X.XX ± 0.15MM X.X ± 0.4MM	-	UPDATED/PAGE NUMBER	EV. 8/13/02
FRACTIONS ± 1/64	ANG. ± °	CHANGES		