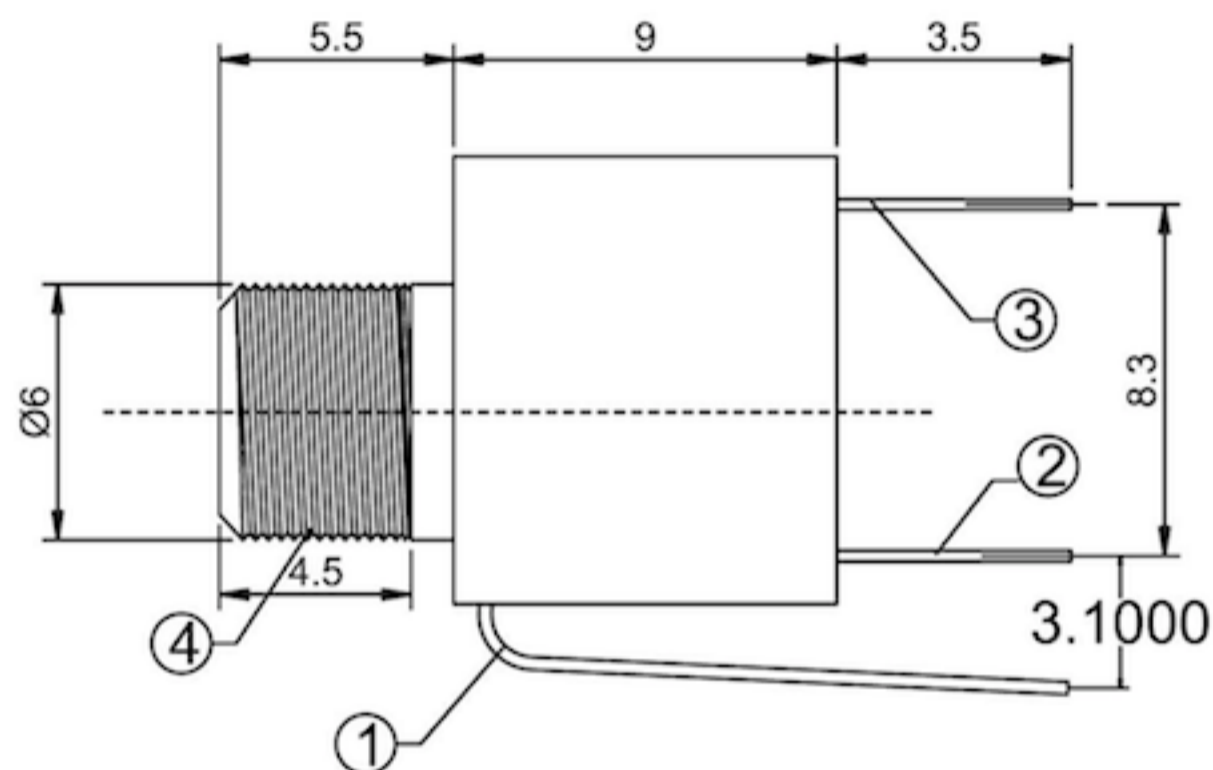
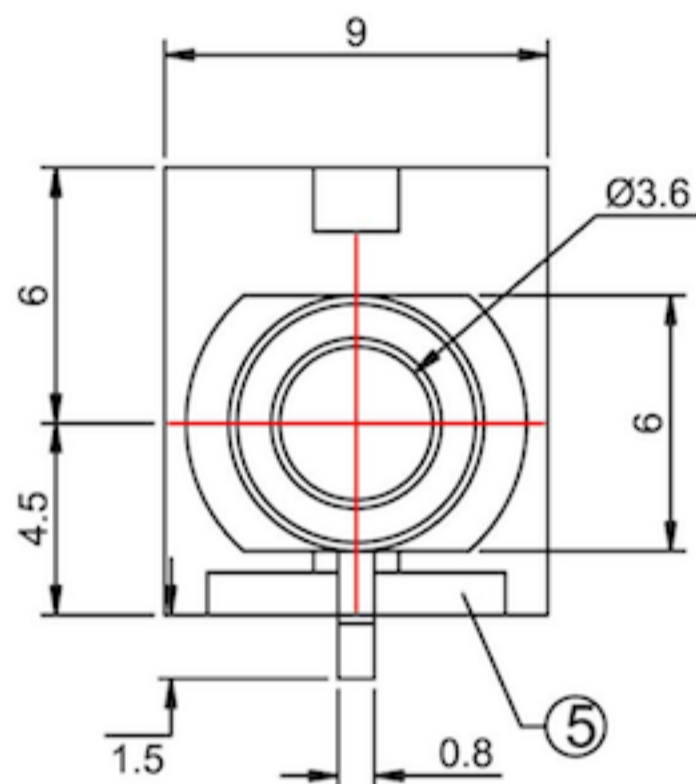
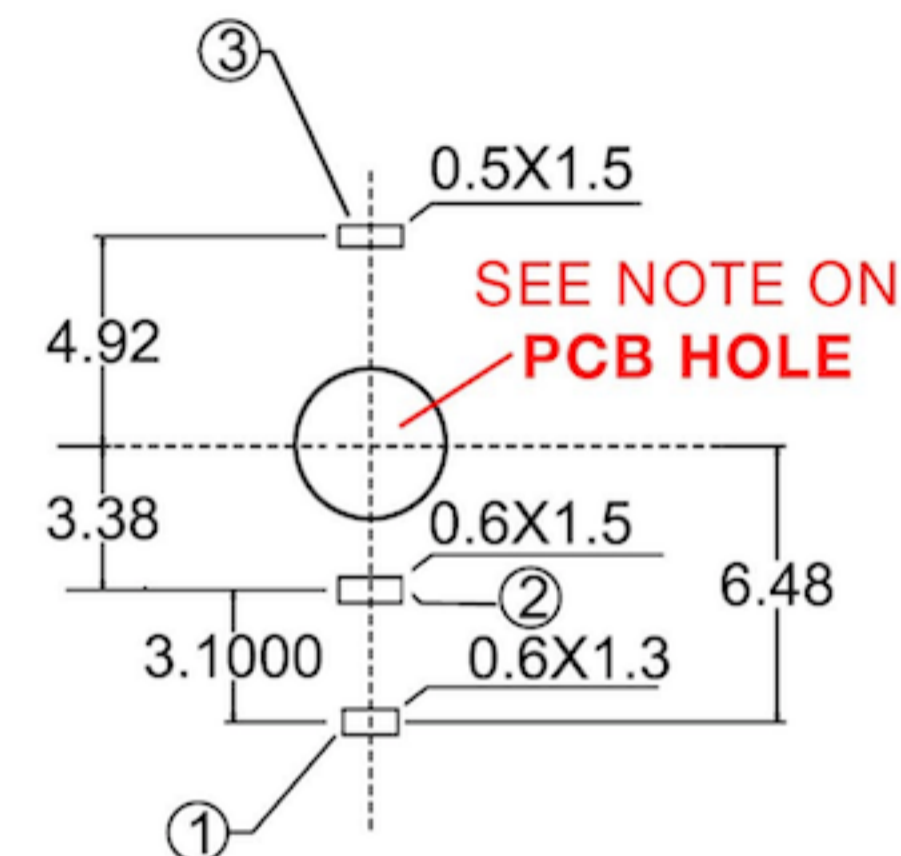
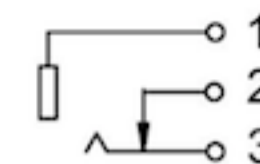


# 'THONKICONN'

## 3.5mm SWITCHING JACK SOCKET



### SCHEMATIC



### PCB LAYOUT (TOP VIEW)

#### SPECIFICATION

1. Rating : DC 30V 0.5A;
2. Contact resistance:  $\leq 0.03 \Omega$ ;
3. Insulation resistance:  $\geq 100M \Omega$  (DC250V);
4. Withstand voltage: 500VAC ;
5. Insertion and extraction force: 3-25N;
6. life test: 5,000 cycles.

### PCB HOLE

DUE TO THE LOW PROFILE OF THE THONKICONN JACK IT IS ADVISABLE AS A PRECAUTION TO DRILL A 3mm HOLE IN THE PCB DIRECTLY BELOW THE JACK BARREL. ALTERNATIVELY LEAVING A VOID IN THE GROUND PLANE OR NOT ROUTING TRACES THROUGH THIS AREA WOULD SUFFICE.



SYNTH DIY ・ 自作シンセ  
WWW.THONK.CO.UK

NO.	DESCRIPTION	QTY	MATERIAL	PLATING
5	HOUSING	1	PBT	
4	BUSHING	1	BRASS	Ni-Plating
3	SPRING CONTACT	1	BERYLLIUM COPPER	Ag-Plating
2	TERMINAL	1	BRASS	Ag-Plating
1	TERMINAL	1	BRASS	Ag-Plating

UNIT:MM	TYPE:	MODEL NO:	PAPER NO: A4	PAGE 1 OF 1	
	PHONE JACK	PJ301M-12	TOLERANCE	ANGLES	SCALE
			±0.15	±1.5°	3:1
DESIGNER					VER
BY:					1
CHECK BY:					
APPROVED					
BY:					