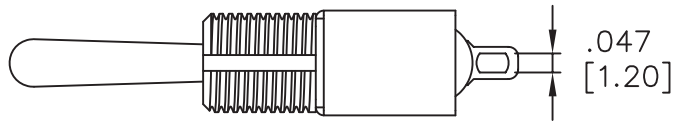
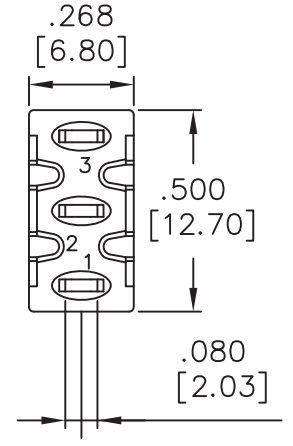
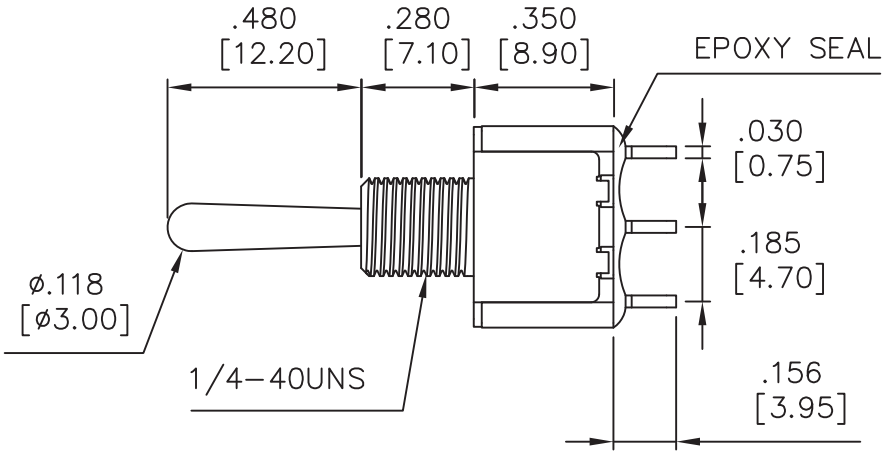
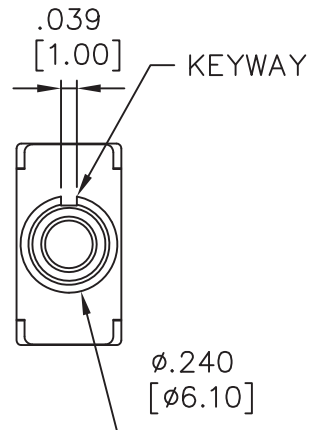


REV. 更改	DESCRIPTION 說明	ENG. 修改人	APPROVE 審核



MODEL NO.	SWITCH POSITION		
SP-1	ON	NONE	ON
SP-2	ON	NONE	(ON)
SP-3	ON	OFF	ON
SP-4	(ON)	OFF	(ON)
SP-5	ON	OFF	(ON)
Term. Comm.	2-3	OPEN	2-1

SPECIFICATIONS:

- MOVABLE CONTACT: Copper alloy with gold plated over nickel plated
- TERMINALS: Copper alloy, gold plated over nickel plated
- RATING: 0.4VA max @ 20V max (AC or DC)
- CONTACT RESISTANCE: 10m-ohms max. initial
- INSULATION RESISTANCE: 1,000M-ohms min.
- DIELECTRIC STRENGTH: 1,000V RMS @ sea level
- ELECTRICAL LIFE: 50,000 make and break cycles at full load
- OPERATING TEMPERATURE: -30°C to +85°C

ITEM NO.	100-SP-4-T100B3M1RE 1MS4T1B3M1RE
----------	-------------------------------------

UNLESS OTHERWISE SPECIFIED DIMENSIONS ARE IN MILLIMETERS ANGULAR TOLERANCE: ±1.0°		USED 用途	100	APPD. 審核	Amy 2014/03/05
DIMENSIONS		FINISH 處理		CHKD. 校對	Amy 2014/03/05
0.00 TO 10.00mm	±0.20mm	SCALE	2 / 1	DR. 製圖	Amy 2014/03/05
10.01 TO 20.00mm	±0.25mm	UNIT	in(mm)		
20.01 TO 30.00mm	±0.30mm				
30.01 TO 40.00mm	±0.40mm	TITLE 名稱	TOGGLE SWITCH		
MATERIAL		DWG NO. 圖號	100-SP-4-T100B3M1RE		SIZE 圖紙
		FILE NAME 檔案名稱	1MS4131RE.DWG	SHEET 張	1 / 1
		REV.	1	更改	1