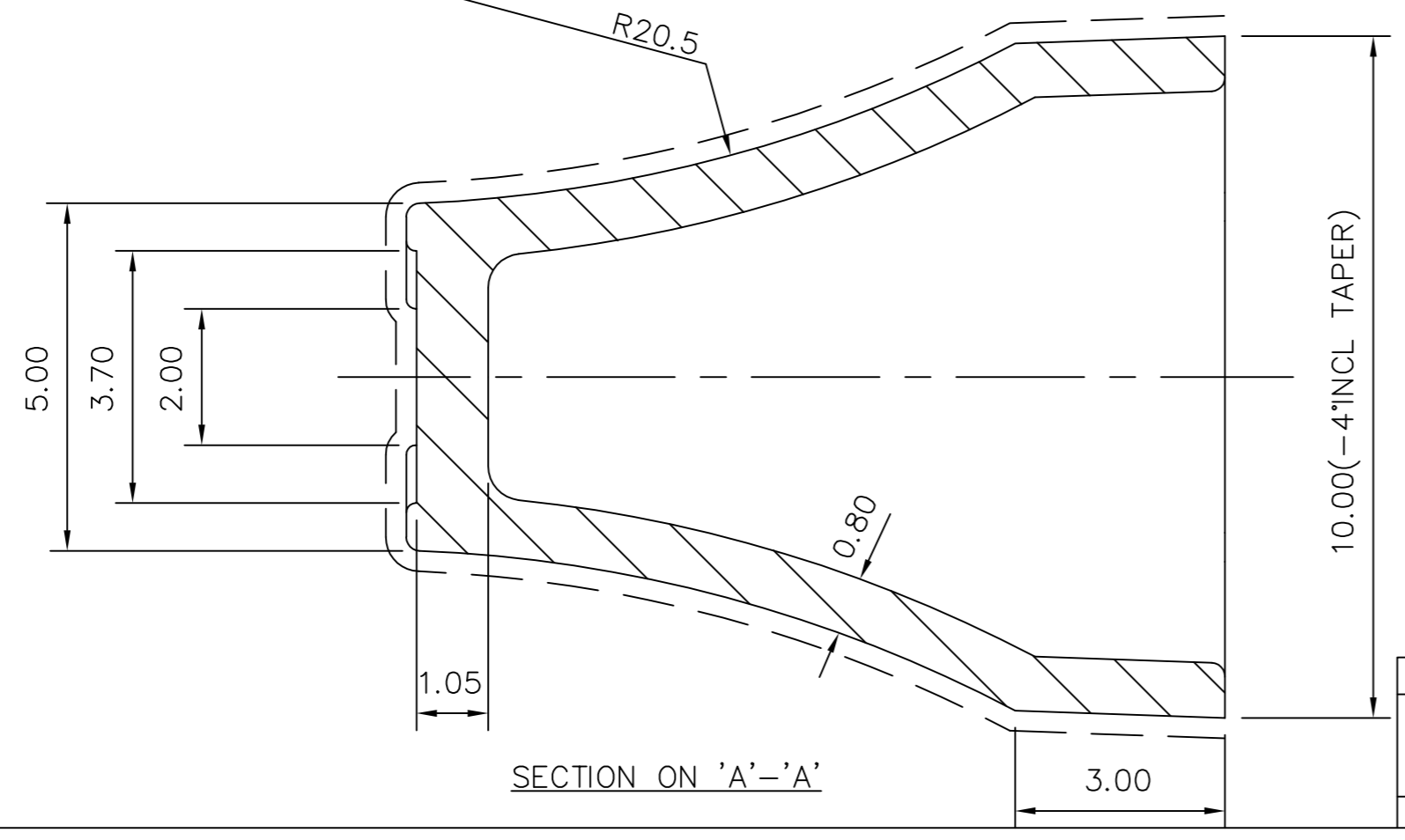
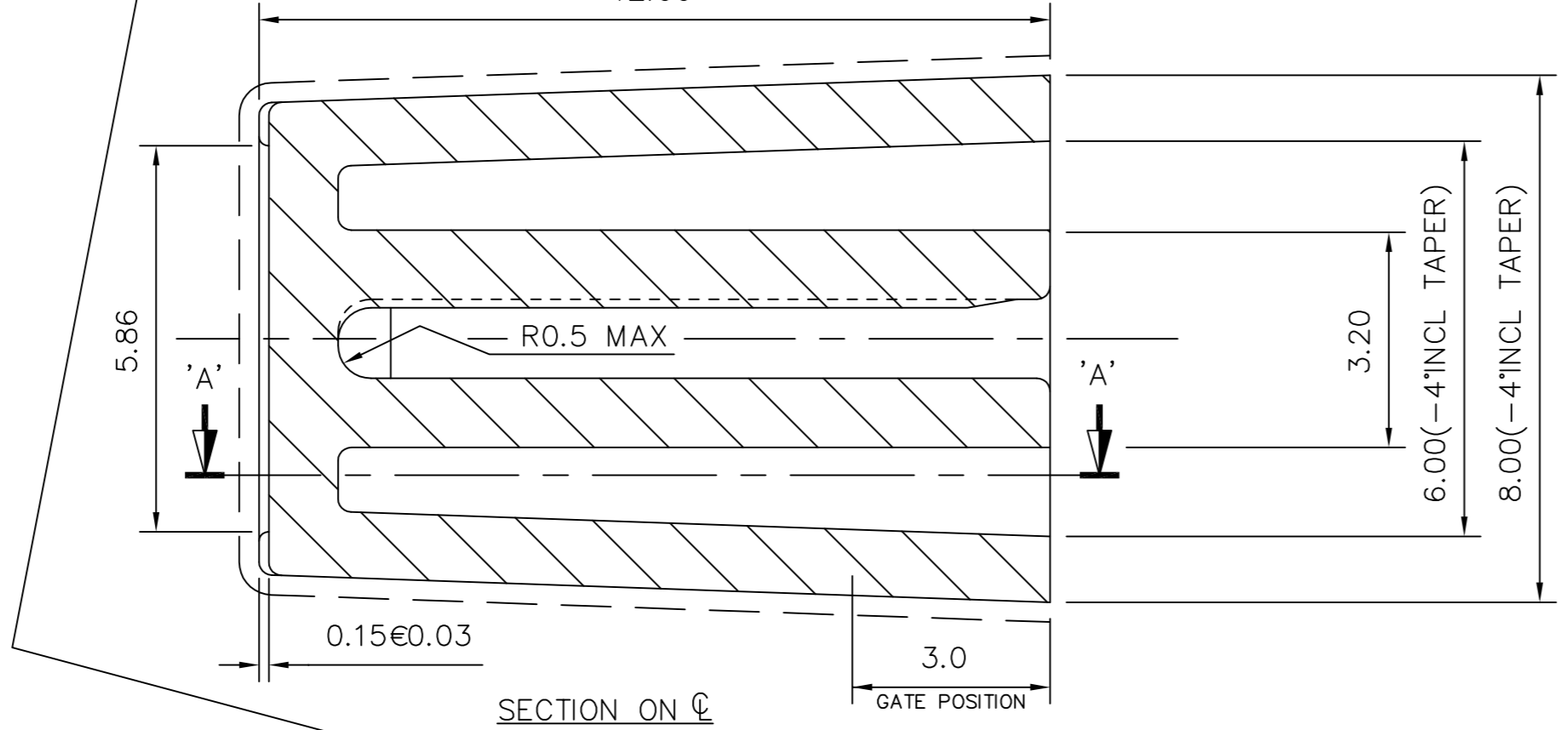
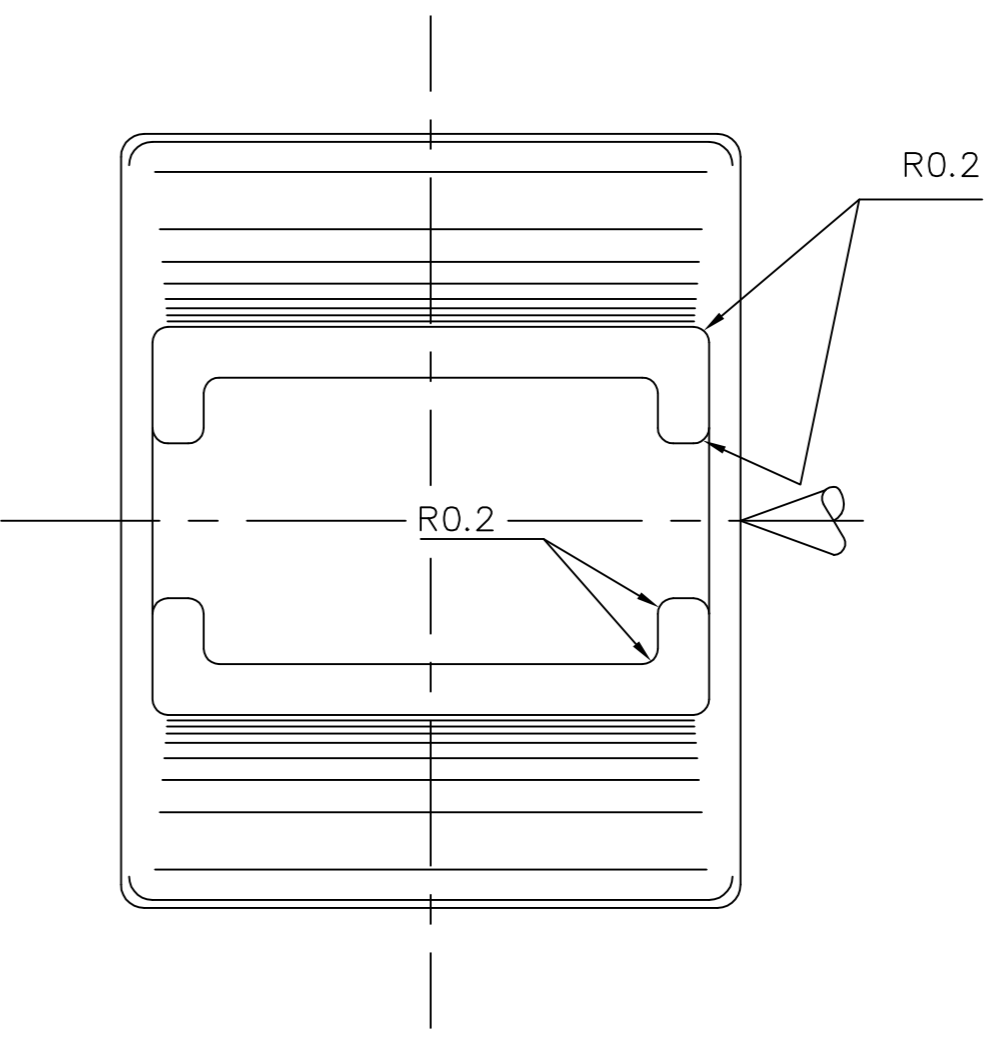
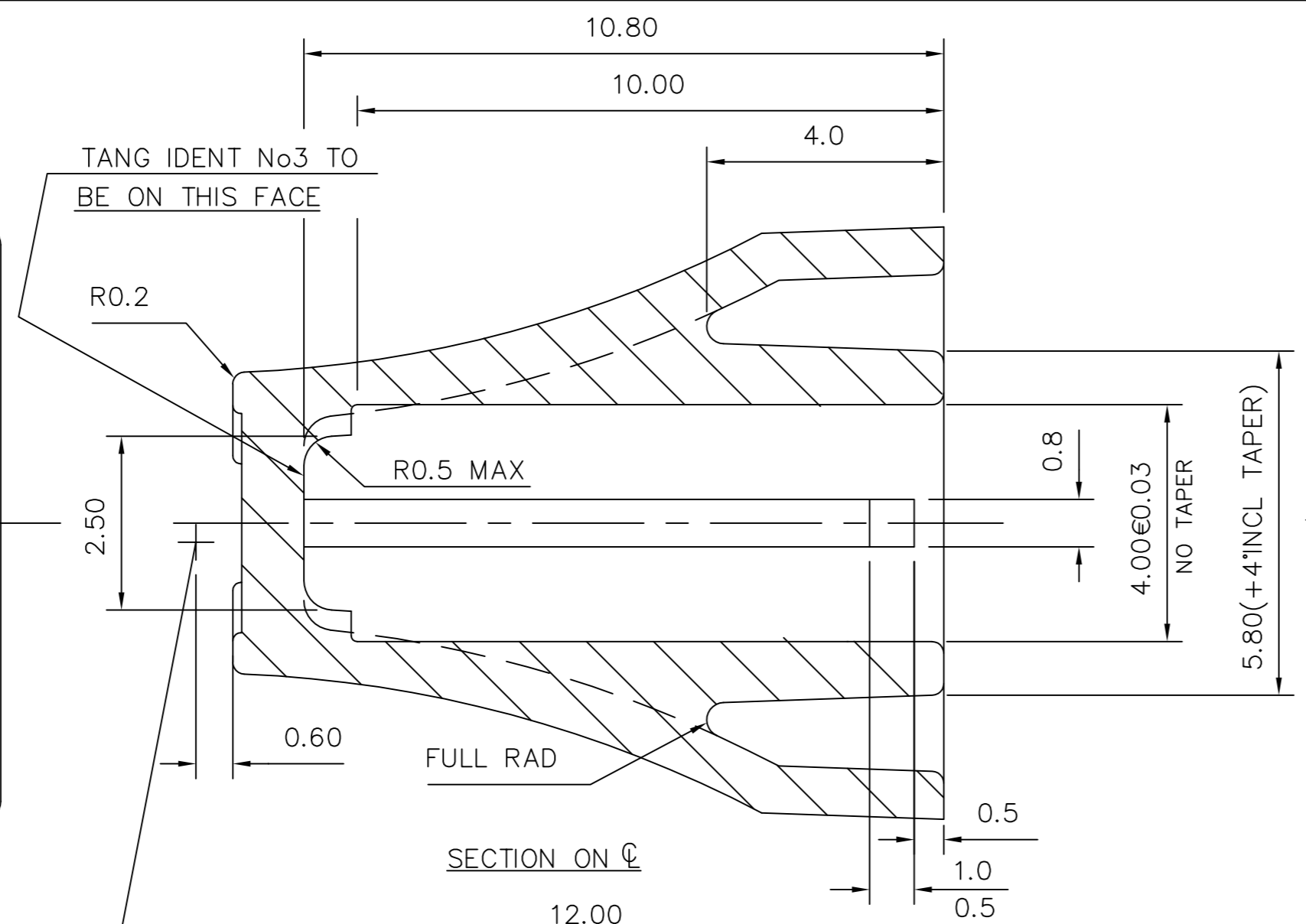
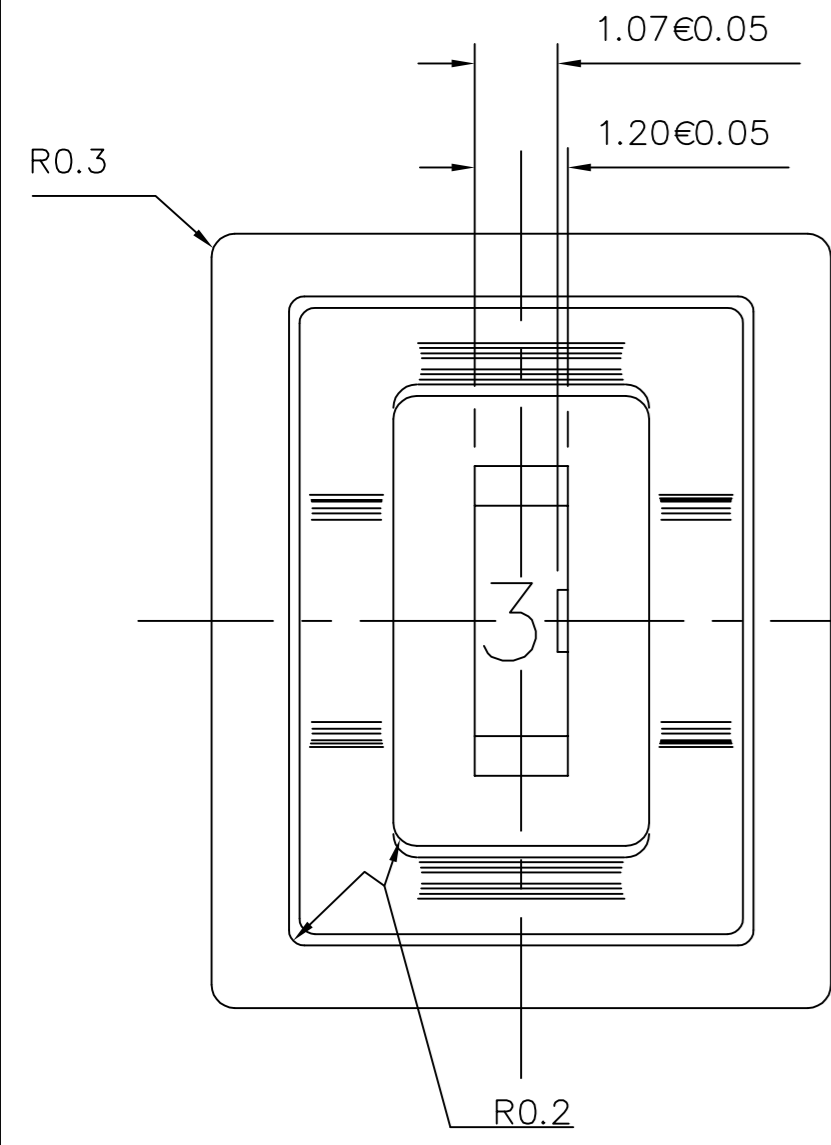


DO NOT SCALE DRAWING - IF IN DOUBT ASK !



	GENERAL LIMITS	MILLIMETRES	SUPERSEDES DRG.	CROSS REF.	MATERIAL	SCALE
		X ± 0.5		MPE 711	NYLON 6 SEE SIFAM STOCK CHART No 155 FOR COLOURS	10:1
		X.X ± 0.2	DRAWN	CHECKED	FINISH	FILENAME
		X.XX ± 0.1			SEE NOTE	N001-241
		ANGLES ± 1/2°				DRG. 05/LK 080 03