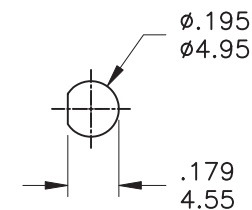
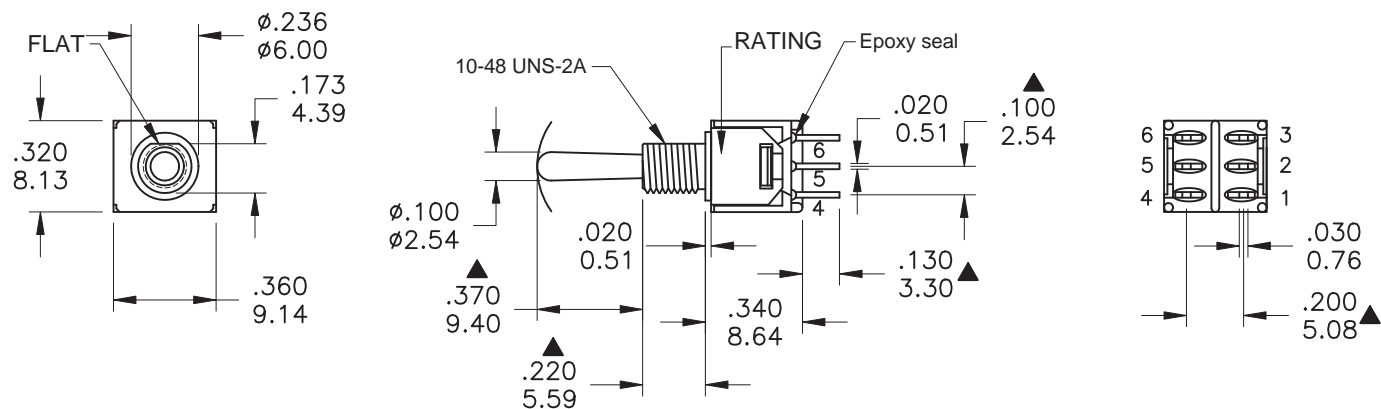
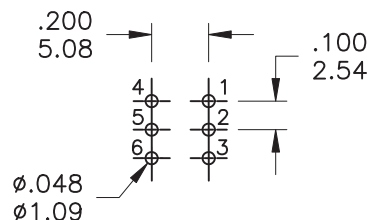


本公司智慧財產，未經同意不得複製
DAILYWELL copyright, may not be used
without permission from DAILYWELL



PANEL MOUNTING



P.C. MOUNTING

Model No.	POS.1	POS.2	POS.3
2MD6	ON	ON	ON
Term. Comm.	2-3,5-6	2-3,5-4	2-1,5-4
SCHEMATIC			

SWITCH FUNCTION



SPECIFICATIONS

MECHANICAL LIFE: 30,000 make-and-break cycles.
CONTACT RESISTANCE: 20 mΩ max. initial @ 2-4VDC
100mA for both silver and gold plated contacts.
INSULATION RESISTANCE: 1,000 MΩ min.
DIELECTRIC STRENGTH: 1,000 Vrms min. @sea level.
OPERATING TEMPERATURE: -40°C to 85°C.



MATERIALS

CASE - Diallyl phthalate(DAP)(UL94V-0)
ACTUATOR - Brass,chrome plated
BUSHING - Brass,nickel plated
HOUSING - Stainless Steel
TERMINALS - Copper alloy.
CONTACT - Brass.
RoHS & Lead Free

	CONTACT PLATING	TERMINAL PLATING	RATINGS
Q	Silver	Silver	3 Amps @120 VAC or 28VDC
C	Gold over Silver	Gold over silver	1 Amps @250 VAC
R	Gold	Gold	0.4 Volt-Amps(VA) max. @20V max. (AC or DC)

德利威電子股份有限公司
DAILYWELL ELECTRONICS CO.,LTD.

符號	原尺寸	修改後尺寸	變更日期	SCALE (比例) : 3 : 2	TITLE 圖名	SIZE 圖紙				
1 (A)		操作溫度-30°C 修訂為-40°C	NOV-01-2018	 TOLERANCE (公差) : 0.00mm±0.25mm 0.0mm±0.40mm ANGULAR: ±5° FILE NAME : 2MDP0254	Sub - Miniature Toggle Switches	A4				
2 (B)					DWG NO. 圖號	2MD6T1B1M2QES	UNIT 單位	inch mm		
3 (C)					REV. 版本	B	DATE 日期	JUN - 17 - 2008	SHEET 張數	1 of 1
4 (D)					APPROVE 審核		CHECK 確認		DRAW 製圖	FION
5 (E)										