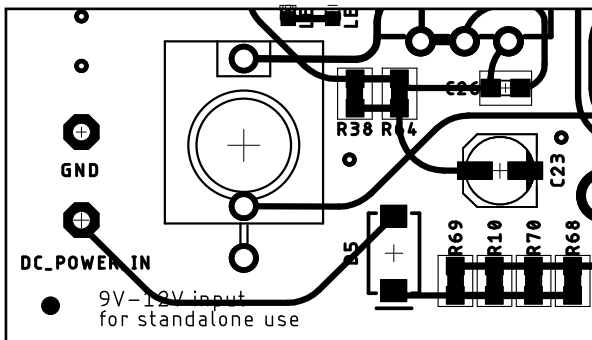
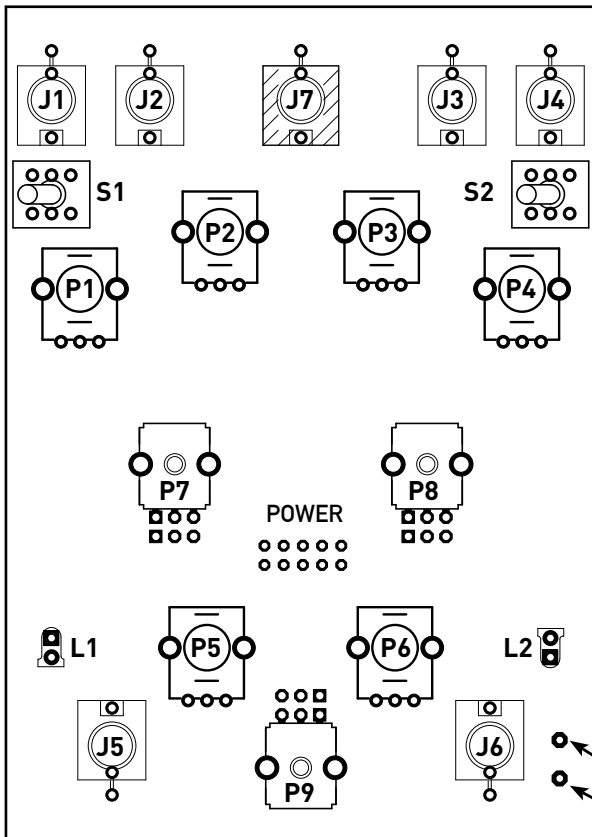


Ar Merch'et Brao Stereo Overdrive Filter: DESKTOP VERSION

! Solder on the other side of the board to the SMD Components! Solder in the order below from top down!



POWER10 pin Power Supply Socket

- J1 Black Jack
- J2 Black Jack
- J3 Black Jack
- J4 Black Jack
- J5 Black Jack
- J6 Black Jack

- J7 Green Jack

- P1 100kB Lin Pot
- P2 100kB Lin Pot
- P3 100kB Lin Pot
- P4 100kB Lin Pot
- P5 100kA Log Pot
- P6 100kA Log Pot
- P7 100kB Dual Lin Pot
- P8 100kB Dual Lin Pot
- P9 100kB Dual Lin Pot

GND Solder the Black Wire
DC POWER IN Solder the Red Wire

L1, L2 LED3MM

*Put the Leds in place without soldering them,
(longest pin = square hole)
Screw the panel then solder them.*



DC POWER IN Solder le fil Rouge, **Solder the Red Wire**
GND Solder le fil noir, **Solder the Black Wire**

wires Solder les fils Rouges, **Solder the Red Wires**

