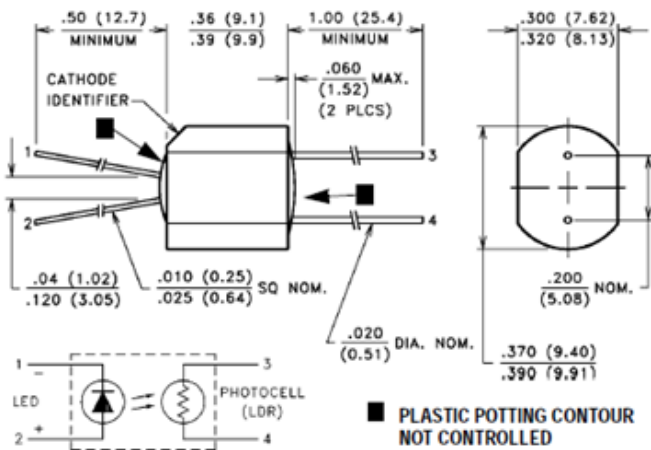


**Dimensional Outline and Pin Connection inch(mm)**



- Features: Compact moisture resistant package
- Lowest "on" resistance
- Low distortion
- Ideal for Hi-Fi stereo applications
- Storage Temperature: -30 to+80°C
- Operating Temperature: -30 to+80°C
- Soldering Temperature: 260°C <10s
- Isolation Voltage(peak): 2000V

**Output Resistance vs. Forward Current**

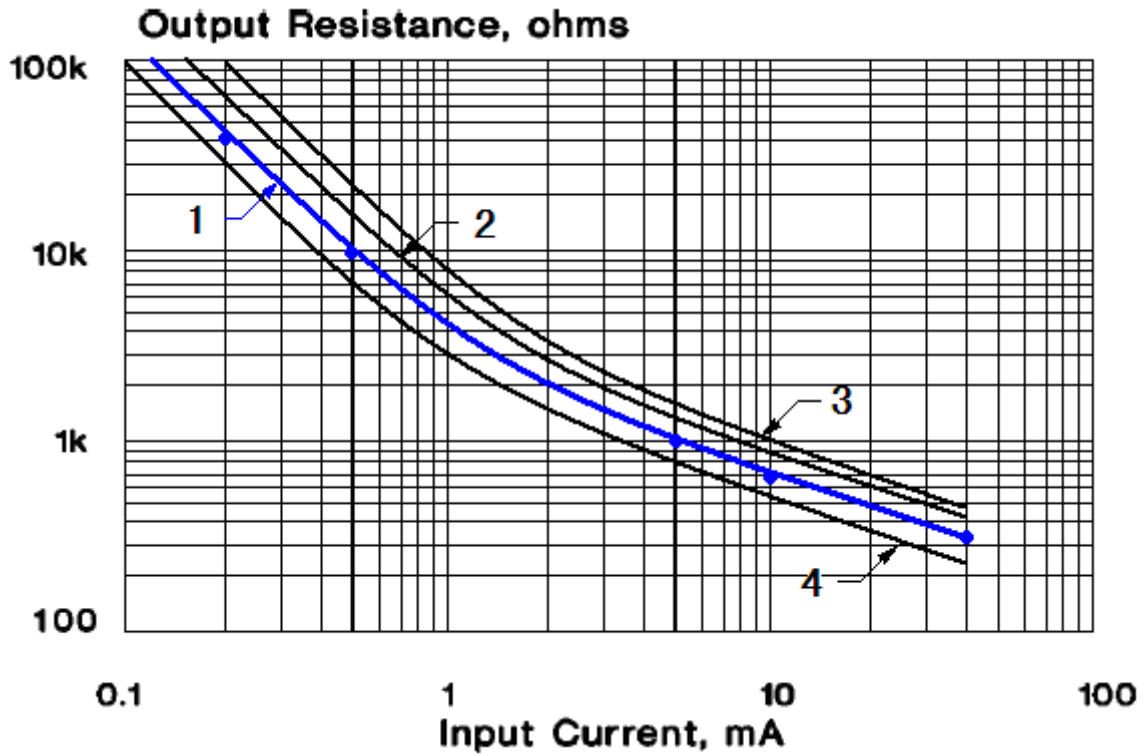
Symbol	Parameter	Min	Typ	Max	Units	TestConditions
<b>LED</b>						
IF	Forward Current			40	mA	(Derate Linearly to 0 at 75°C)
VF	Forward Voltage			2.0	V	IF = 16 mA
IR	Reverse Current			100	µA	VR=3.8V
<b>Cell</b>						
Vc	Maximum Cell Voltage			60	V	(Peak AC or DC)
Pd	Power Dissipation			50	mW	(Derate Linearly to 0 at 75°C)
<b>Coupled</b>						
RON	On Resistance					
		9.0		13	KΩ	IF = 0.5 mA**
		0.9		1.3	KΩ	IF = 5 mA**
ROFF	Off Resistance	10			MΩ	10sec after I=0.3Vdc on cell
TR	Rise Time			3.5	msec	Time to 63% of final conductance @ IF = 16 mA ***
TF	Decay Time			500	msec	Time to 100KΩ after removal of input @ IF = 16 mA
	Cell Temp Coefficient		1.0		%°C	IF >5 mA

\* 2mm from case for < 5 sec

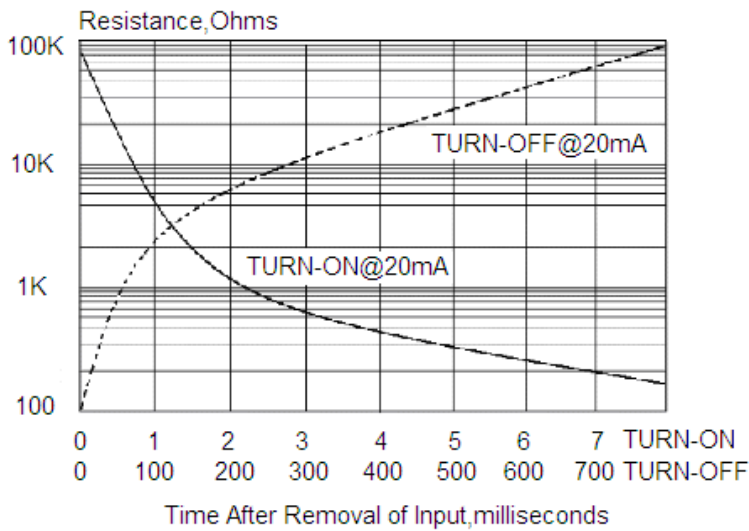
\*\* measured after a dark history of 1 week

\*\*\* Rise time is the time for the dark change in conductance to reach 63% of its final value

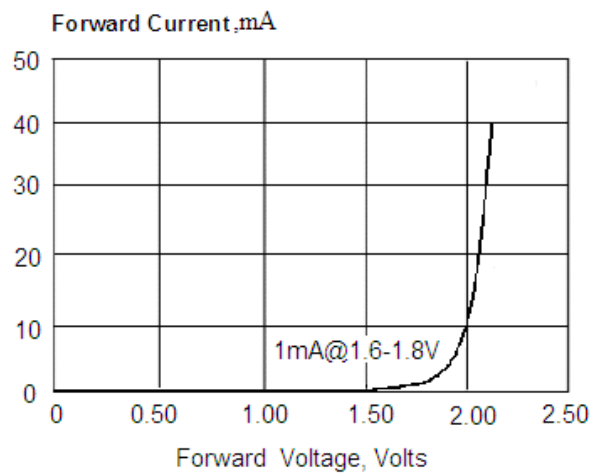
## Output Resistance vs. Forward Current



Rise/Fall Time vs. Load Resistance



LED Forward Current vs. Forward Voltage



产品外形有绿色标记

规格书各项参数仅供使用参考

用户标准以样品为准